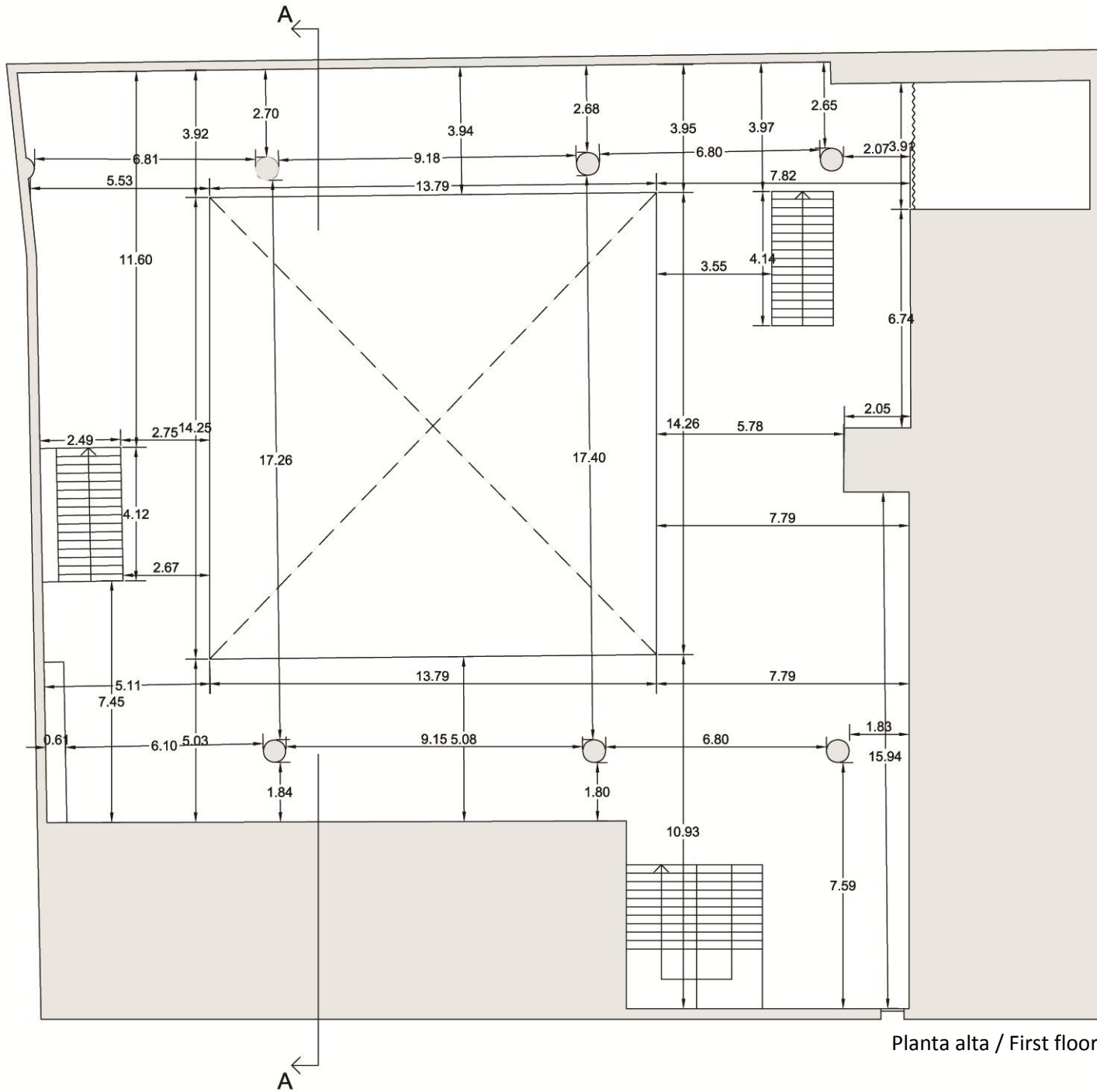


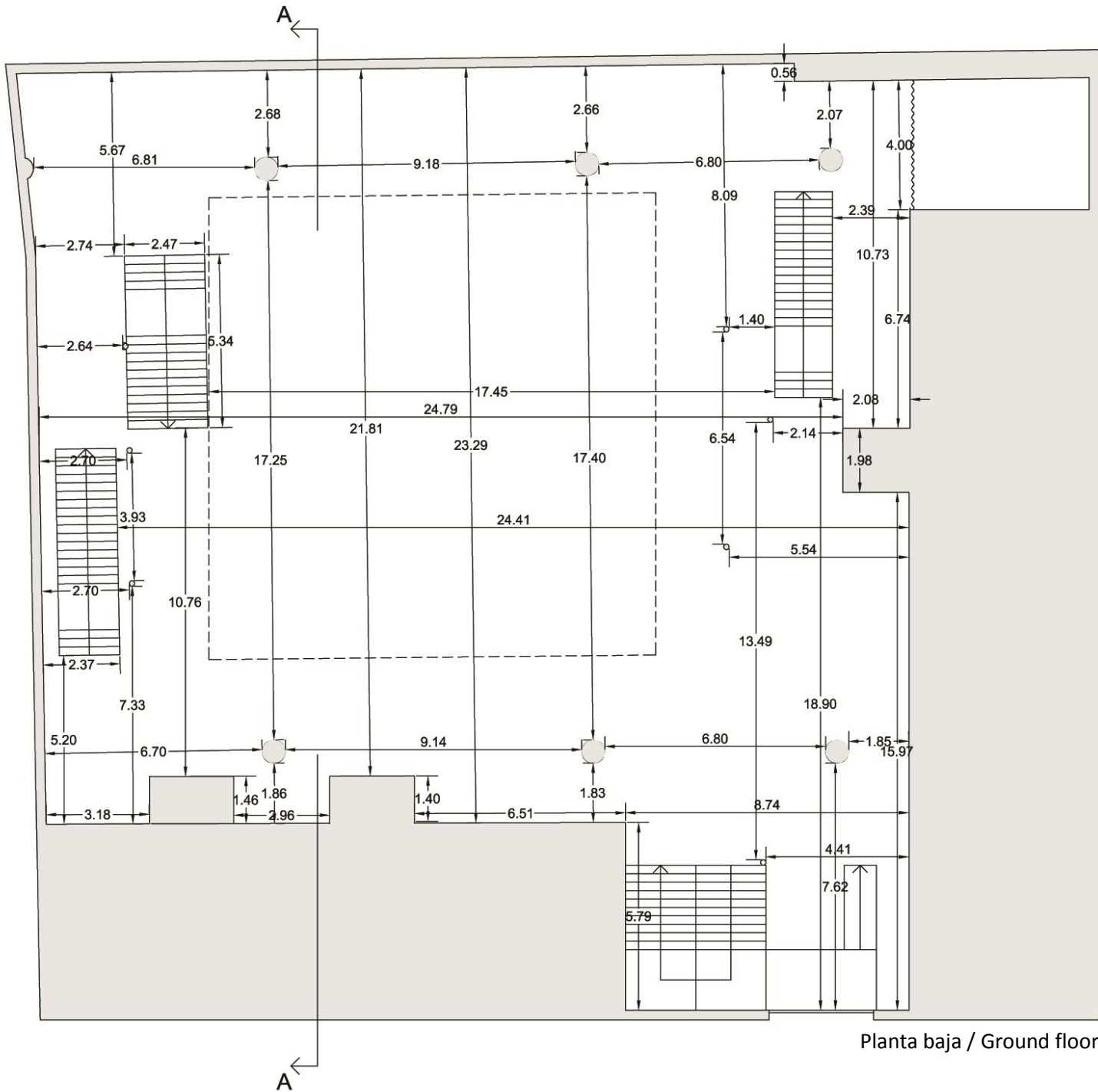
# El Puente

Scale 1:100

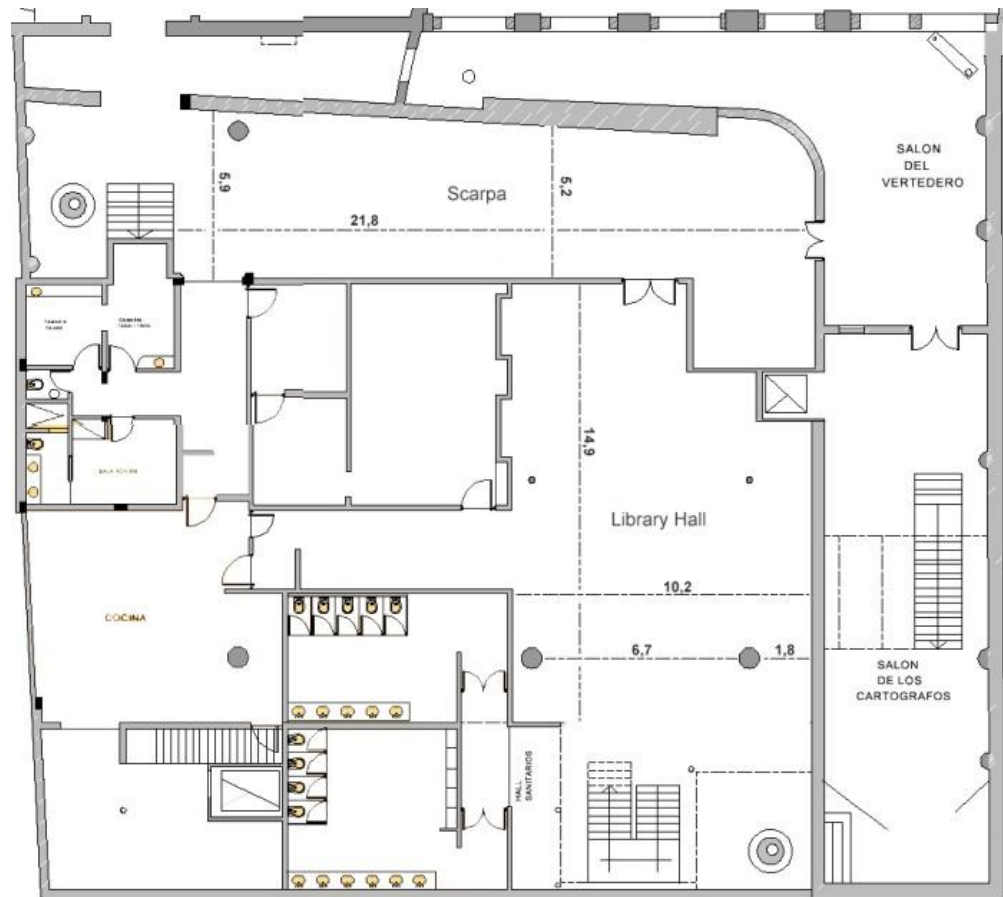
Length unit: meters



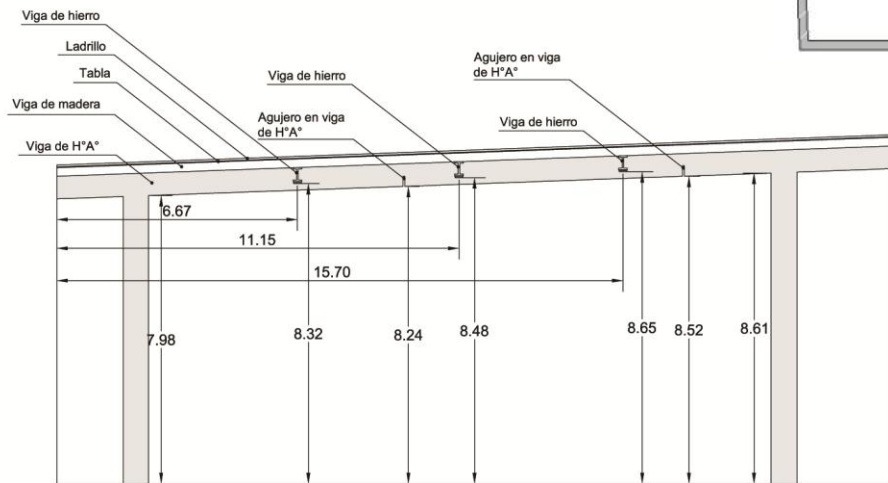
Planta alta / First floor



Planta baja / Ground floor



Subsuelo / Basement: Scarpa & Library Hall



Corte A-A / Lengthwise A-A